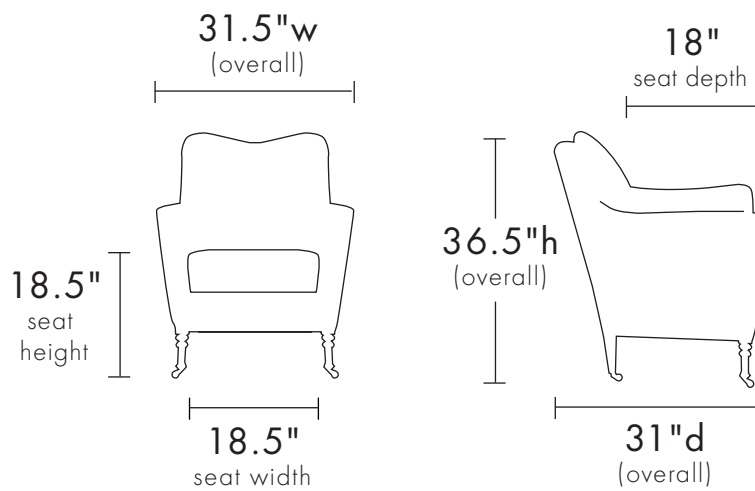


# KATI CHAIR



JESSIE DAVIDSON  
*interiors*<sup>™</sup>

P 847-482-1466 F 847-482-1478 M 847-219-0721

[www.jessiedavidsoninteriors.com](http://www.jessiedavidsoninteriors.com)